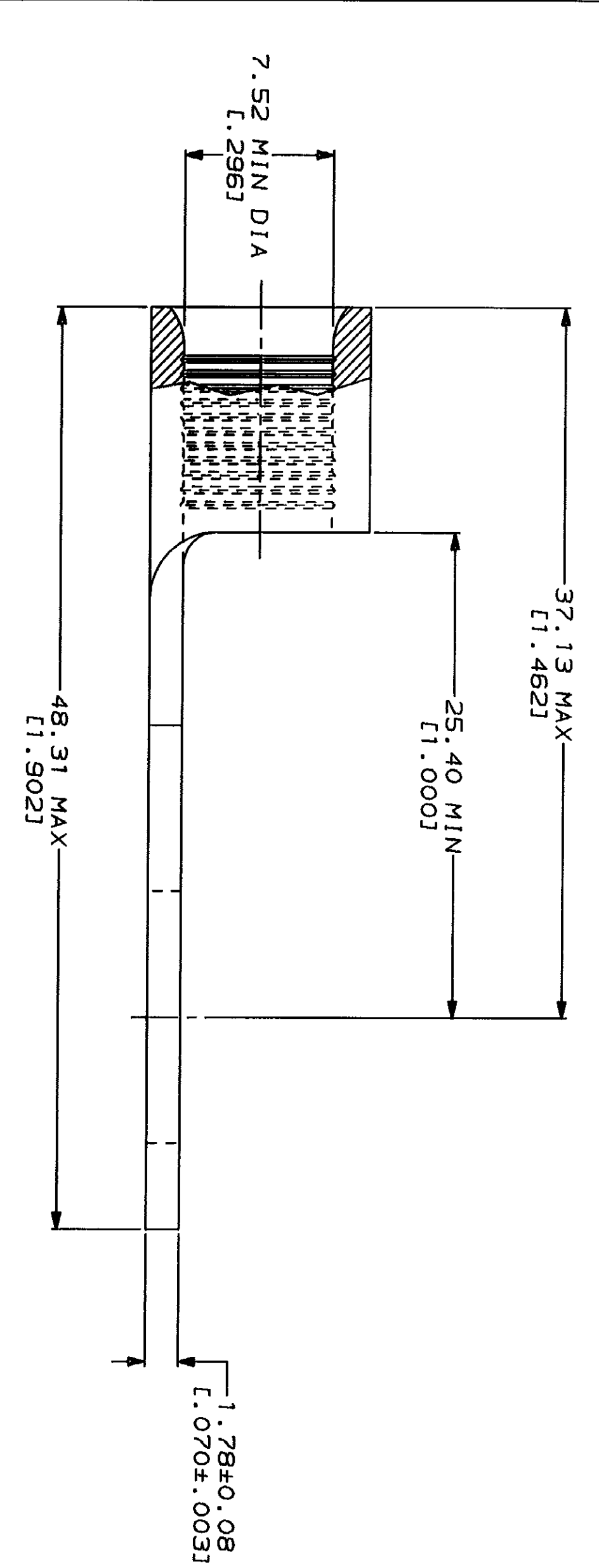


**METRIC**  
DIMENSIONS LISTED IN mm [ INCHES ]

<b>AMP</b> WIRE RANGE	<b>IL</b> E13288 Listed
4 AWG SOLID OR STRANDED	4 AWG STRANDED
<b>LR7189</b> Certified	MILITARY P/N AND CLASS
4 AWG SOLID OR STRANDED	NOT APPLICABLE

△ STAMP AMP 4\* APPROX AS SHOWN



AMP INCORPORATED  
CUSTOMER SERVICE SYSTEMS

FOR ADDITIONAL PRODUCT INFORMATION OR COPIES OF DRAWINGS AND TECHNICAL DOCUMENTS	PRODUCT INFORMATION CENTER 1-800-522-6752
FOR APPLICATION TOOLING INFORMATION	TOOLING ASSISTANCE CENTER 1-800-722-1111
FOR ORDER ENTRY	1-800-526-5142

MAX RECOMMENDED OPERATING TEMPERATURE:  
170°C MAX

VOLTAGE RATING:  
NOT APPLICABLE

WIRE CROSS SECTIONAL AREA RANGE:  
16.8-26.7mm<sup>2</sup> [33,100-52,600] CIR MILS  
SOLID OR STRANDED

THIS DRAWING IS A CONTROLLED DOCUMENT FOR AMP INCORPORATED. IT IS SUBJECT TO CHANGE AND THE USER SHOULD BE ADVISED FOR THE LATEST REVISION.

DO NOT SCALE PRINT. UNLESS SPECIFIED DIMENSIONS IN MILLIMETERS - TOLERANCES ON: 2 PLC DEC ± .1 ANGLES ± .1

MATERIAL: COPPER PER ASTM B-152 ANNEALED

FINISH: TIN PLATE  
0.00254 [L.0001001] MIN THK PER MIL-T-10727

DR 9/9/93 DK SCHRUM	DR 9/9/93 DK SCHRUM
CHK 9/10/93 DA PATTERSON	CHK 9/10/93 DA PATTERSON
APPD 9/10/93 CH KILYNYCH	APPD 9/10/93 CH KILYNYCH
APPD 9/10/93 JL MECKLEY	APPD 9/10/93 JL MECKLEY

QUANTITY	500	LOOSE PIECE, BOX	55951-1
PACKAGING TYPE		PART NO	

NAME	TERMINAL, RING TONGUE, SOLISTRAND™
SIZE	CAGE CODE 00779 DRAWING NO 55951
SCALE	4:1